

CAUTION!

A GUN CONTAINING MODIFIED, BROKEN, BADLY WORN OR MALFUNCTIONING PARTS SHOULD NOT BE FIRED!

Shipping Firearms For Service

Kahr Pistols returned to the factory for service or repair should be sent to:

Kahr Firearms Group
Attn: Return Dept.
105 Kahr Ave.
Greeley, PA 18425

Contact Kahr Arms Technical Support Department to receive a "Return Authorization" number before shipping a firearm to the factory. You can do this by calling 508-795-3919 or online (<https://www.kahr.com/kahr-rma/>).

PISTOLS SHIPPED TO THE FACTORY MUST BE SENT PREPAID. THE KAHR SERVICE DEPARTMENT CAN NOT ACCEPT COLLECT SHIPMENTS.

The Federal Gun Control Act does not prohibit an individual from shipping a firearm directly to the manufacturer for service or repair. However, some states or localities prohibit this. If you live in such a location, please have a Federally Licensed Firearms dealer ship the gun. It will be returned to the dealer after being serviced.

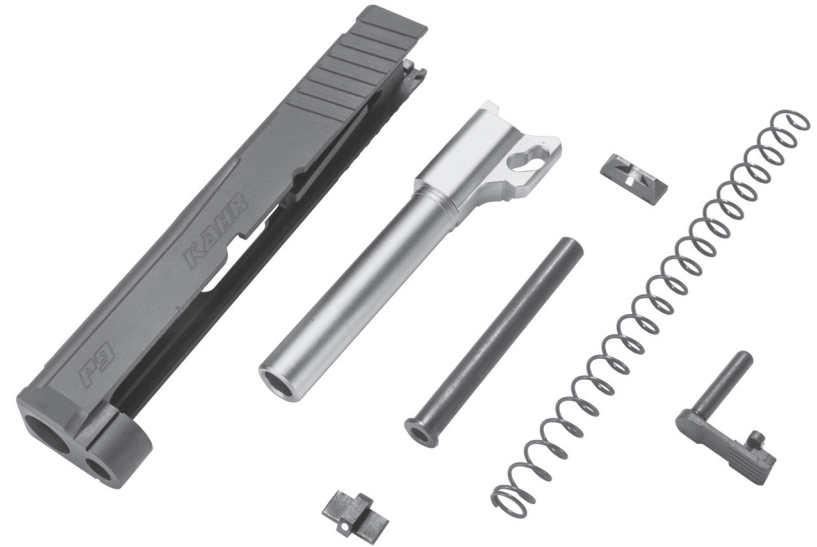
HANDGUNS MUST BE SHIPPED PREPAID VIA FEDEX® PRIORITY OVERNIGHT OR 2ND DAY. HANDGUNS SHIPPED GROUND SERVICE MAY BE ASSESSED AN ADDITIONAL CHARGE OF \$40.00 AND REPAIR WORK WILL BE DELAYED. Persons who do not hold a Federal Firearms License are prohibited by federal law from shipping a handgun by mail. Handguns mailed in violation of the law are impounded by the Post Office.

Enclose a letter that includes reference to the factory "Return Authorization" Number, your name, address, telephone number, and serial number and model of the firearm. Describe in detail the trouble you have experienced with your firearm, or the work you wish to have done. Stating only that the firearm "needs repair" is inadequate information. Please enclose copies of any previous correspondence.

Please do not include holsters, custom grips, or accessories with any firearm being shipped to the factory for service.

Service work performed, other than approved Warranty repairs, will carry a minimum charge of \$32.50 plus a \$25.00 return shipping and handling charge.

PARTS AND SERVICE LIST FOR ALL KAHR MODELS



Parts can also be ordered at shopkahrfirearmsgroup.com
YOU MAY CALL TO VERIFY PRICE AND STOCK AVAILABILITY.

**KAHR
ARMS**

WARNING!

BEFORE SHIPPING ANY FIREARM, BE ABSOLUTELY CERTAIN THAT IT AND ITS MAGAZINE IS UNLOADED.

DO NOT SHIP CARTRIDGES WITH A FIREARM.

IMPROPER FITTING PARTS MAY RESULT IN A DANGEROUS MALFUNCTION, DAMAGE TO THE FIREARM, AND INJURY TO THE SHOOTER AND OTHER PERSONS.

It is the responsibility of the purchaser to be absolutely certain that parts ordered from the factory are correctly fitted and installed. The purchaser and installer of parts must accept full responsibility for the correct adjustment and functioning of the pistol after such installation.

Sales Support & Service: 508-795-3919 | Fax: 570-685-2222

Website: www.kahr.com

Parts Information

Because it is a serial numbered component, the pistol frame is defined as a "firearm" by federal law and is not sold as a separate part.

Parts List and Retail Prices

Key & Parts Name	Part #	All Models
1. Frame - Not For Sale	.001	N/A
2. Barrel	.002	\$140.80
3. Slide	.003	\$145.20
4. Slide Back	.004	\$26.40
5. Recoil Spring	.005	\$8.80
6. Recoil Spring Guide	.006	\$3.30
7. Striker Block	.007	\$28.60
8. Striker Block Spring	.008	\$6.60
9. Trigger	.009	\$15.40
10. Trigger Spring	.010	\$6.60
11. Trigger Spacer	.011	\$2.20
12. Trigger Pivot Pin	.012	\$2.20
13. Trigger Bar	.013	\$14.30
14. Trigger Bar Spring	.014	\$6.60
15. Cocking Cam	.015	\$16.50
16. Cocking Cam Spring	.016	\$6.60
17. Magazine Catch Body	.017	\$12.10
18. Magazine Catch Spring	.018	\$6.60
19. Magazine Catch Lock Pin	.019	\$2.20
20. Striker	.020	\$16.50
21. Striker Spacer	.021	\$6.60
22. Striker Spring	.022	\$6.60
23. Striker Spring Guide	.023	\$3.30
24. Extractor	.024	\$15.40
25. Extractor Pin - Front	.025	\$1.10
26. Extractor Spring	.026	\$6.60
27. Extractor Pin - Back	.027	\$1.10
28. Slide Stop	.028	\$24.20
29. Slide Stop Spring	.029	\$6.60
30. Slide Stop Spring Screw	.030	\$1.10
31. Ejector	.031	\$14.30
32. Cocking Cam Pivot Pin	.032	\$2.20
33. Rear Sight	.133	\$11.00
34. Front Sight	.134	\$9.90
35. Magazine Tube - Not For Sale	.035	N/A
36. Magazine Spring	.036	\$12.10
37. Magazine Base Lock	.037	\$8.80
38. Magazine Base	.038	\$8.80
39. Magazine Follower	.039	\$11.00
40. Grip Screw	.040	ea. \$1.10
41. Grips (left & right)	.041	\$18.70

Key & Parts Name	Part #	All Models
Parts unique to polymer frame models		
18. Magazine Catch leaf Spring	.018	\$6.60
29. Slide Stop Spring	.029	\$6.60
30. Slide Stop Spring Screw & Washer	.030	\$1.10
40. Side Panel	.040	\$5.50
41. Side Panel Screw	.041	\$2.20
Parts unique to P380 and CW380 models		
5. Recoil Spring Assembly (Outer)	.005-0	\$4.50
5a. Recoil Spring Assembly (Inner)	.005-1	\$4.50
Parts unique to PM and CM models		
5a/6a. Recoil Spring Guide Assembly	.005	\$23.10
Parts unique to External Safety & LCI models		
2. Barrel (External Safety)	.002	\$140.80
3. Slide (External Safety)	.003	\$145.20
13. External Safety Trigger Bar	.013	\$14.30
61. External Safety Lever	.061	\$18.00
62. External Safety Cam Pin	.062	\$20.00
63. External Safety Plunger	.063	\$1.50
64. External Safety Plunger Spring	.064	\$2.00
65. LCI Body	.065	\$15.50
66. LCI Spring	.066	\$2.00
67. LCI Pivot Pin	.067	\$1.50
Parts unique to P380 with LCI models (KP38233 only)		
68. Magazine Disconnecter	.068	\$9.95
69. Magazine Disconnecter Spring	.069	\$6.60
70. Spring Retaining Pin	.070	\$2.20
Parts unique to ST9, S9, CT, CW and CM Series		
34a. Front Sight	.034a	\$6.60
Parts unique to KT models		
41. Wood Grips - Hogue® Pau Ferro (left & right)	.041	\$63.80
Parts unique to MK Series		
6. Recoil Spring Guide Assembly	.006	\$14.30
41. Grips (left & right)	.041	\$14.30

Ordering Parts and Accessories

Order parts by Part Name and/or Part Number as described below. Orders for Kahr parts can be processed by mail, phone, fax or on our website www.shopkahrfirearmsgroup.com. Prices and availability can be verified by phone. When ordering specify the model, caliber, finish and entire serial number of the firearm - including all letters and numbers. Note: many parts are common to all pistols regardless of model finish. Order accessories by Item Name and Item Number. All mail and fax parts and accessory orders can be sent to:

Kahr Firearms Group - ProShop Dept.
105 Kahr Avenue, Greeley, PA 18425 | Fax: (570) 685-2222

Payment for Parts and Accessories

All orders require prepayment - by check, money order or credit card. KAHR ARMS cannot offer individuals open account or COD requests. Restocking charge of 25%.