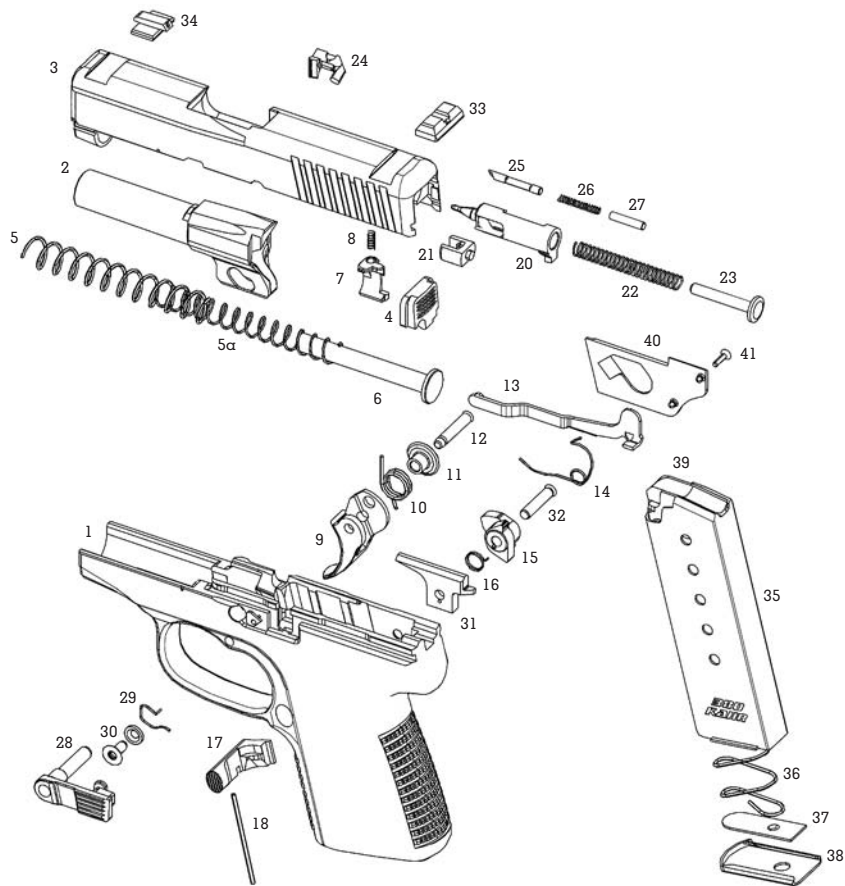


# K&H P380

Polymer Frame Pistol



## Technical Data

### Operation:

Locked breech, modified "Browning-type" recoil lug

### Safety Systems:

Trigger cocking (DA) only, passive striker block. No magazine disconnect or external manual safeties

### Ammunition:

.380 ACP

### Barrel:

2.5", polygonal rifling

### Trigger Weight:

Approx. 7 pounds

### Length O/A:

4.9"

### Height:

3.9"

### Weight:

9.97 ounces (w/o mag.)

### Slide Material:

Stainless steel

### Sights:

Drift-adjustable, white bar-dot combat sights

### Slide Width:

.75"

### Grips / Frame:

Textured polymer

### Slide Finish:

Matte stainless steel

## Standard Equipment

- Protective Polymer Case, Trigger Lock
- Two 6 Rd. Stainless Magazines

## Parts List and Retail Prices

<u>Key &amp; Parts Name</u>	<u>Part #</u>	<u>All Models</u>
1 Frame .....	001	N/A
2 Barrel.....	002	\$140.80
3 Slide .....	003	\$145.20
4 Slide Back.....	004	\$26.40
5 Recoil Spring Assembly .....	005	\$9.00
6 Recoil Spring Guide .....	006	\$14.30
7 Striker Block.....	007	\$28.60
8 Striker Block Spring .....	008	\$6.60
9 Trigger.....	009	\$15.40
10 Trigger Spring.....	010	\$6.60
11 Trigger Spacer.....	011	\$2.20
12 Trigger Pivot Pin .....	012	\$2.20
13 Trigger Bar .....	013	\$14.30
14 Trigger Bar Spring.....	014	\$6.60
15 Cocking Cam .....	015	\$16.50
16 Cocking Cam Spring.....	016	\$6.60
17 Magazine Catch Body.....	017	\$12.10
18 Magazine Catch leaf Spring .....	018	\$6.60
20 Striker.....	020	\$16.50
21 Striker Spacer.....	021	\$6.60
22 Striker Spring .....	022	\$6.60
23 Striker Spring Guide .....	023	\$3.30
24 Extractor.....	024	\$15.40
25 Extractor Pin - Front.....	025	\$1.10
26 Extractor Spring.....	026	\$6.60
27 Extractor Pin - Back .....	027	\$1.10
28 Slide Stop .....	028	\$24.20
29 Slide Stop Spring .....	029	\$6.60
30 Slide Stop Spring Screw & Washer.....	030	\$1.10
31 Ejector .....	031	\$14.30
32 Cocking Cam Pivot Pin.....	032	\$2.20
33 Rear Sight .....	033	\$11.00
34 Front Sight.....	034	\$6.60
35 Magazine Tube (6 round).....	035	\$12.10
36 Magazine Spring (6 round).....	036	\$12.10
37 Magazine Base Lock (6 round) .....	037	\$8.80
38 Magazine Base (6 round).....	038	\$8.80
39 Follower (6 round).....	039	\$11.00
40 Side Panel.....	040	\$5.50
41 Side Panel Screw.....	041	\$2.20

See more accessories online at [www.kahrshop.com](http://www.kahrshop.com)

<u>Item Name</u>	<u>Accessory Items</u>	<u>Item #</u>	<u>Price</u>
<b>Magazine - 6 rounds, 380 ACP, stainless steel, fits KP3833 ....</b>		<b>K386</b>	<b>\$40.00</b>